



# Rinnai®

## UBBINK™ VENT SYSTEM FOR RINNAI TANKLESS WATER HEATERS

CONCENTRIC VENTING SYSTEM FOR INDOOR APPLICATIONS



UBBINK'S UNIQUE CONCENTRIC VENTING SYSTEM PROVIDES MAXIMUM PERFORMANCE, SAFETY, AND EASE OF INSTALLATION.

- Zero clearance to combustibles
- Single penetration through wall for both intake and exhaust
- Easy assembly
- Available with either plastic or metal outer vents (all units have an aluminum inner exhaust vent)
- Compatible with all indoor Rinnai water heater models, except the 98 series which utilizes separate intake and exhaust venting

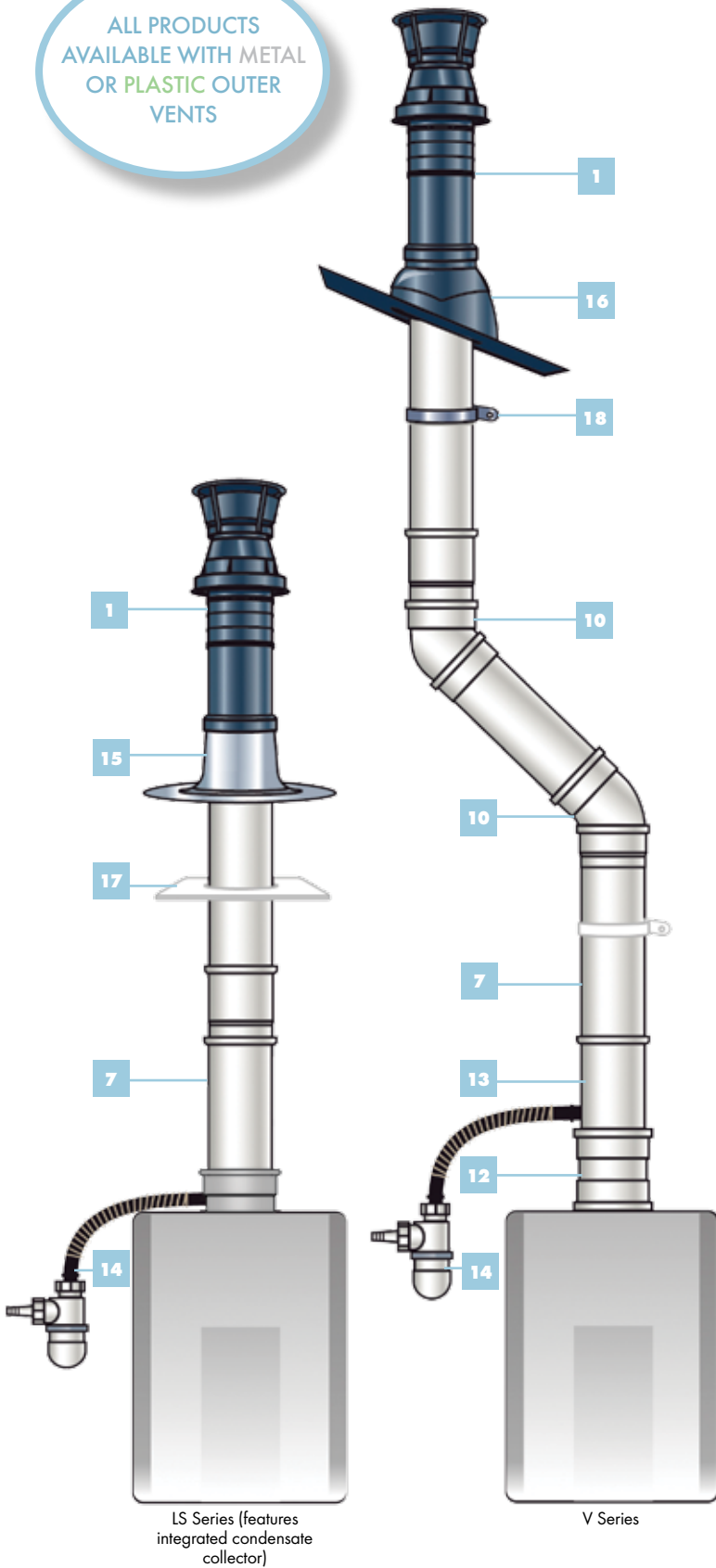


**ubbink**

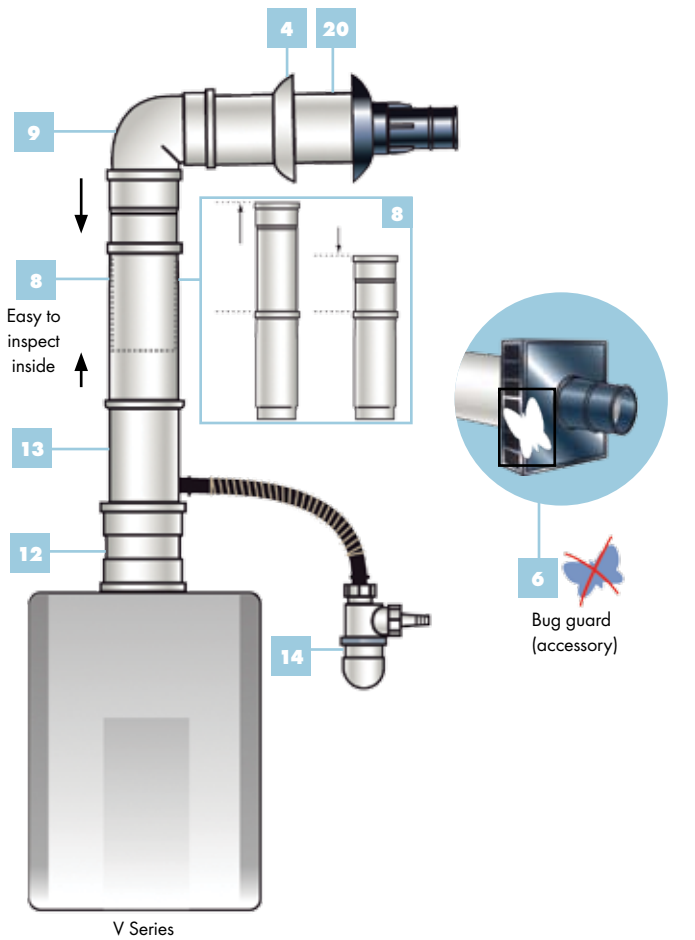
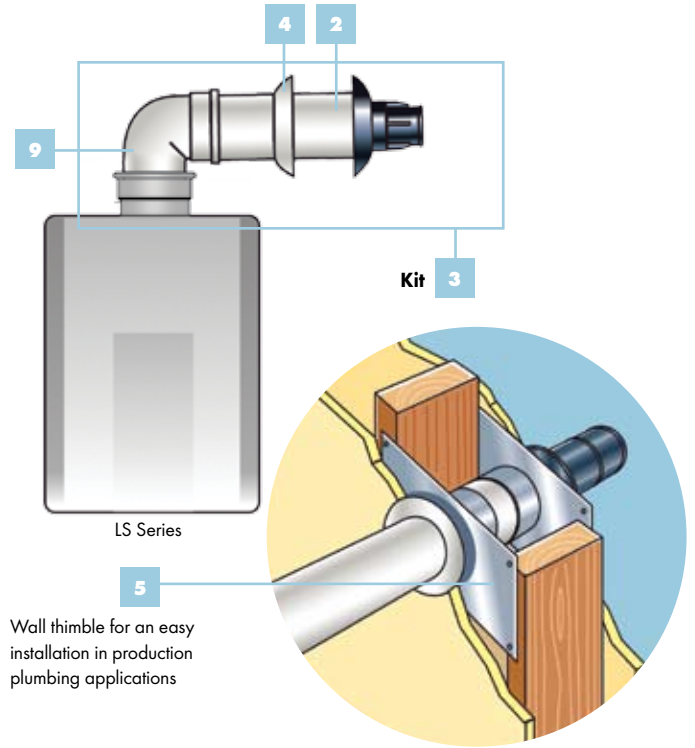
# VERTICAL AND HORIZONTAL VENTING EXAMPLES

## VERTICAL VENTING

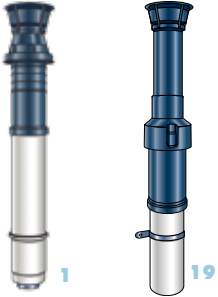
ALL PRODUCTS AVAILABLE WITH METAL OR PLASTIC OUTER VENTS

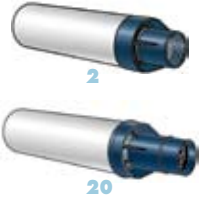



## HORIZONTAL VENTING




# ROLUX® CONCENTRIC VENT SYSTEM


		Plastic outer	Metal outer	
<b>VERTICAL TERMINATIONS</b>				
	1	184118-S	184127	Roof Discharge Termination 18" (above roof)
	19	184119		Roof Discharge Termination 38" (above roof), cold climate

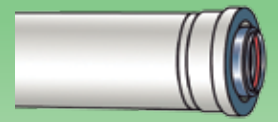
		<b>HORIZONTAL TERMINATIONS</b>		
	2	223161	223155	12" Standard Horizontal Termination
		223152	223156	21" Standard Horizontal Termination
	20	223157	223159	12" All-Weather Horizontal Termination
		223171		21" All-Weather Horizontal Termination

		<b>HORIZONTAL TERMINATION KITS</b>		
	3	STDKITVA-S	223167	12" Standard Termination Kit (LS Series) * (R94LSi, R75LSi, R50LSi)
		STDKITVA-S21		21" Standard Termination Kit (LS Series) (R94LSi, R75LSi, R50LSi)
	22	STDKITVA-A	223168	12" All-Weather Termination Kit (LS Series) * (94LSi, R75LSi, R50LSi)
		STDKITVA-A21		21" All-Weather Termination Kit (LS Series) (94LSi, R75LSi, R50LSi)
	24	224046		Raised Horizontal Termination Kit ("Snorkel") (94LSi, R75LSi, R50LSi)

\* Vent Kits for the V Series water heaters are available as well. The 12" standard termination kit is STDKITV-S and the 12" all-weather kit is STDKITV-A

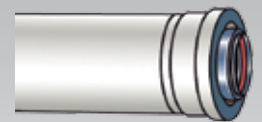
		<b>VENT PIPE EXTENSIONS</b>		
	7	224051	224260	10" Vent Pipe Extension
		224052	224265	19.5" Vent Pipe Extension
		224053	224270	39" Vent Pipe Extension
	8	224054	224275	Telescoping Vent Length
	9	224063	224255	90 Degree Elbow
	10	224050	224250	45 Degree Elbow (Qty of 2)

		<b>HORIZONTAL AND VERTICAL ADAPTERS FOR V SERIES</b>		
	11	50710327	224257	Horizontal Discharge Adaptor
	12	224064	224240	Vertical Discharge Adaptor (4" length)
	13	224069	224245	Condensate Collector (6" length)



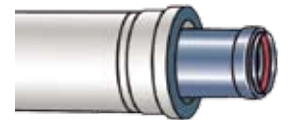
## PLASTIC OUTER FOR INTAKE

- Easy to cut compared to stainless steel
- Dent and impact resistant
- Corrosion-proof
- Non-flammable material (UL94-V0)
- Seamless extruded materials
- Casted elbows and adapters
- White semi-gloss finish (EU RAL 9016)



## METAL OUTER FOR INTAKE

- Painted galvanized steel
- Easy to cut compared to stainless steel
- Metal outer available when required by local codes
- Dent and impact resistant (bends and adapters)
- White semi-gloss finish (EU RAL 9016)
- Wall thickness 15% greater than stainless steel
- Casted elbows and adapters



## ALUMINUM INNER FOR EXHAUST

- Easy to cut compared to stainless steel
- Stable, thick-walled material
- Dent and crease resistant
- Not affected by scratches
- Seamless extruded material
- No weld lines
- Thick-walled, casted elbows and adapters
- Lightweight
- Seal rings with maximum temperature 400°F (approx. 200°C)

# ROLUX® CONCENTRIC VENT SYSTEM

Suitable for plastic and metal components



ROOF TILES AND FLASHINGS		
15	146141	Roof Flashing Assembly-Flat
16	189950	Polymer Rubber Roof Flashing Assembly-1/12 to 12/12 pitch
	189951	Polymer Rubber Roof Flashing Assembly-6/12 to 12/12 pitch
	189952	Polymer Rubber Roof Flashing Assembly-8/12 to 16/12 pitch
25	242141	Flashing for Metal Roof



ACCESSORIES		
4	710342	Rubber Wall Plate (white)
	710602	Rubber Wall Plate (black)
5	224045	Thimble (1 piece per box)
6	224043	Bug Guard
14	222050	Condensate Trap
17	224097	Metal Pass Through Plate
18	169044	Pipe Clamp
26	224040	Water Heater Guard (for commercial applications)

Rinnai is continually updating and improving products; therefore, specifications are subject to change without prior notice. Local, state, provincial and federal codes must be adhered to prior to and upon installation.

## FOR MORE INFORMATION ON RINNAI PRODUCTS

## ADDITIONAL RINNAI LITERATURE AVAILABLE

### Rinnai Corporation

103 International Drive  
Peachtree City, GA 30269

### Toll Free 1-866-RINNAI-1

Phone: 678-829-1700 • Fax: 678-364-8643

Visit our Websites: [www.rinnai.us](http://www.rinnai.us) • [www.foreverhotwater.com](http://www.foreverhotwater.com)

E-mail: [marketing@rinnai.us](mailto:marketing@rinnai.us)




### Ubbink bv

P.O. Box 26  
6980 AA Doesburg  
The Netherlands

T +31 313 48 02 00

F +31 313 47 39 42

[rolux@ubbink.nl](mailto:rolux@ubbink.nl)

[www.ubbink.nl](http://www.ubbink.nl)

